

# TOUCHWOOD PRODUCTS

## SPIRAL BALANCES ORDER FORM

### Customer Details

\_\_\_\_\_

\_\_\_\_\_

\_\_\_\_\_

\_\_\_\_\_

\_\_\_\_\_

Tel: \_\_\_\_\_

Fax: \_\_\_\_\_

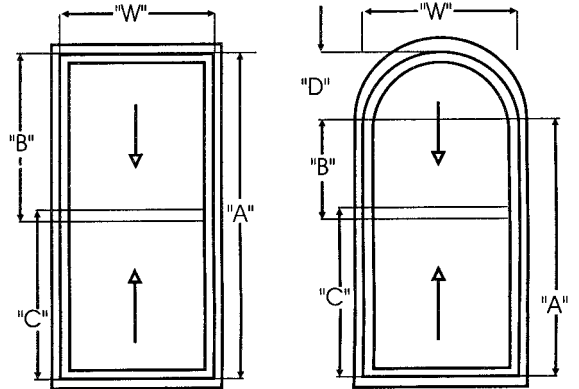
Email: \_\_\_\_\_

OrderRef: \_\_\_\_\_

**"A" must be less than "B" and "C"**

- A** under the head onto the cill (inner sash)
- B** height of top sash excluding horn (if any)
- C** height of lower sash (inner)
- D** from top of sash to fixing position
- W** width of sashes

*Note: Balance lengths are calculated on the assumption that the fixed position of the balance is directly under the head.*



### Please tick appropriate box below:

<input type="checkbox"/> Order <input type="checkbox"/> Quotation <input type="checkbox"/> Pro Forma							eg: glass details 4m 6m d/g			
ref. no.	quantity W's	A	W	B	C	D	size of horn	glazing details	sash weight top	sash weight bottom
1										
2										
3										
4										
5										
6										
7										
8										
9										
10										

**PLEASE FAX YOUR ORDERS ON: 01279 503832    Tel: 01279 505931**

**Check out our website at: [www.sashbalances.co.uk](http://www.sashbalances.co.uk)**

**Email: [sales@sashwindows.info](mailto:sales@sashwindows.info)**

**PO Box 3655**

**Hertfordshire CM22 7WH**

